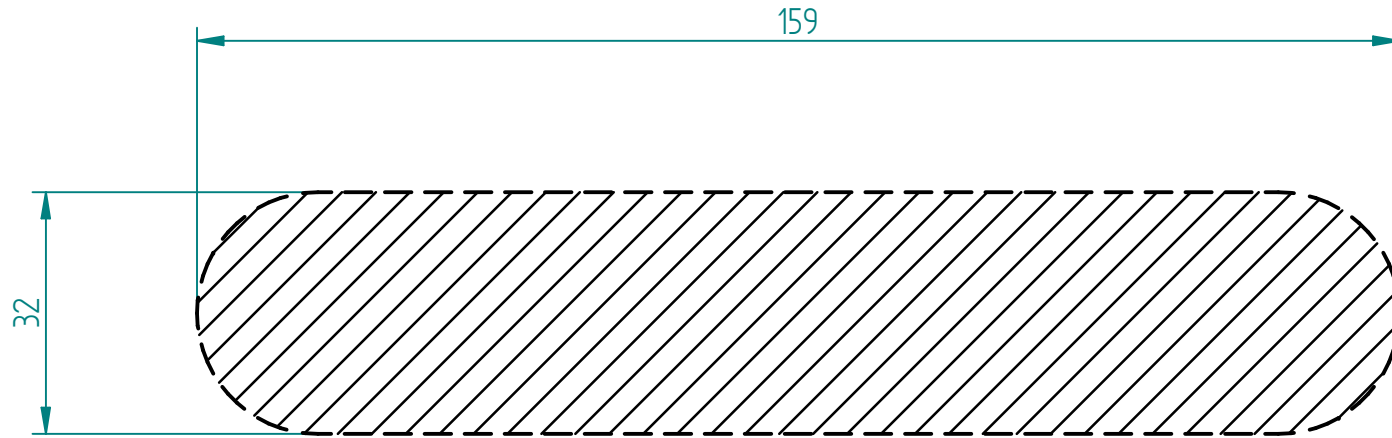



REVISION HISTORY

REV	DESCRIPTION	DATE	APPROVED



AF88-2021 - AF88-2021BLK - 4 PORT INLINE

	NAME	DATE			
DRAWN	davidh	10/05/23			
NOTES			TITLE Bulkhead Cutout Template		
Construction			SIZE A4	DWG NO 10230510-3	REV
UNLESS OTHERWISE SPECIFIED DIMENSIONS ARE IN MILLIMETRES			FILE NAME: air_con_bulkhead_templates.dft		
			SCALE:	WEIGHT:	SHEET 3 OF 4