



40 Huntingwood Drive Huntingwood NSW 2148

Phone: (02) 8825 1999 Website: www.aeroflowperformance.com

INSTRUCTION MANUAL

AEROFLOW PERFORMANCE

KICK-DOWN CABLE

WARNING!

BEFORE PROCEEDING WITH INSTRUCTIONS PLEASE READ CAREFULLY AND UNDERSTAND BEFORE ATTEMPTING TO USE THIS PRODUCT.

BEFORE PROCEEDING WITH INSTALLATION PLEASE READ INSTRUCTIONS CAREFULLY. THIS PRODUCT REQUIRES DETAILED KNOWLEDGE OF AUTOMOTIVE SYSTEMS. WE RECOMMEND THAT THIS INSTALLATION BE CARRIED OUT BY A QUALIFIED AUTOMOTIVE TECHNICIAN.

INTRODUCTION

Congratulations on your purchase of the Aeroflow Performance kick-down cable kit. Aeroflow Performance products cannot and will not be responsible for any damage, or other conditions resulting from misapplication of the parts described herein. However, it is our intention to provide the best possible products for our customer, products that perform properly and satisfy your expectations. Should you have any questions? Please call technical support at +61 2 8825 1900 and have the product part number on hand when calling.

This Aeroflow Performance kick-down cable kit is designed to suit Ford AOD gearboxes only. This cable is made from stainless steel braided covering over a hard-wearing high-quality PTFE liner, which are made with an extruded liner for extended life. These also feature aluminium fittings and ferrules to eliminate frayed ends. They contain all necessary hardware for a complete installation, although some modification may still be required depending on application.

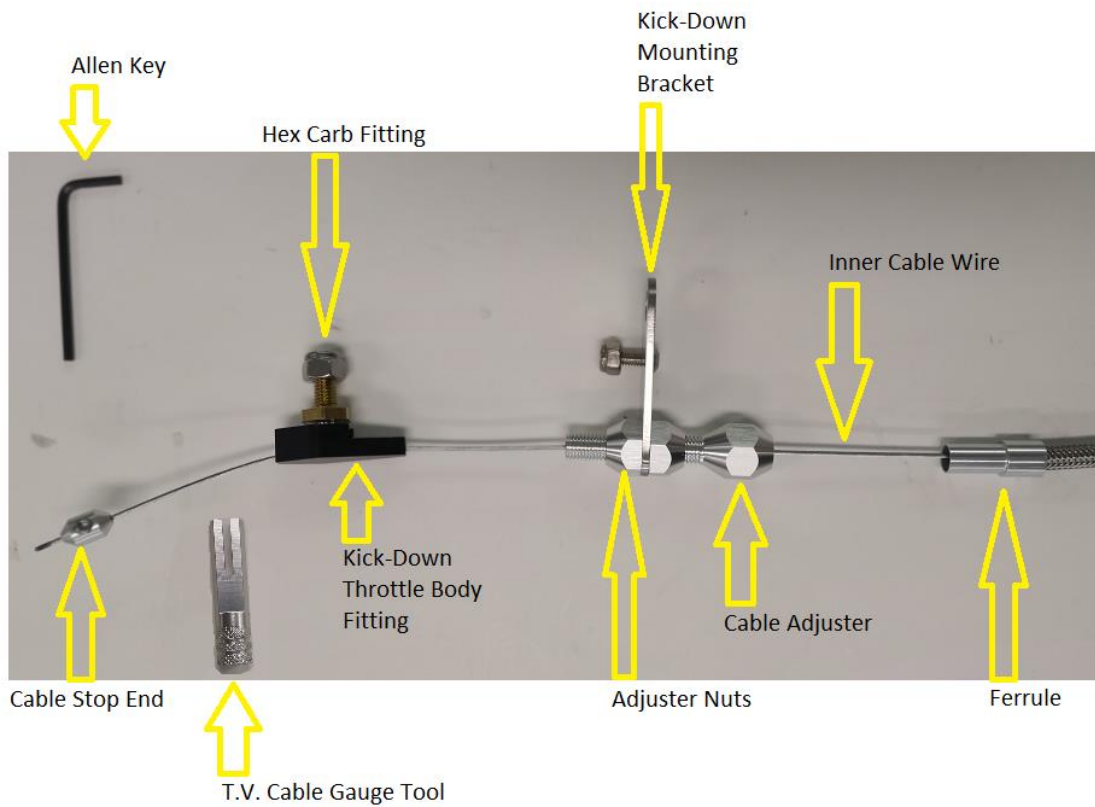
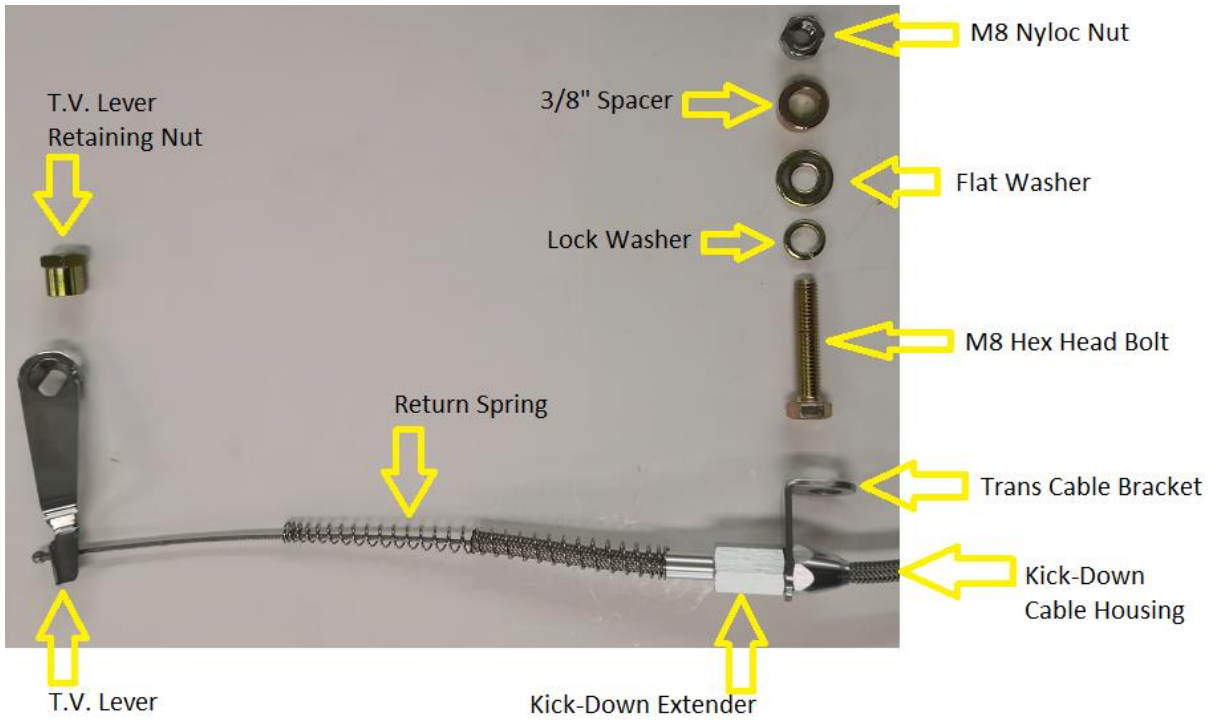
This AOD Kick-down kit is used to actuate the Throttle Valve (T.V.) within the transmission. Some of the components contained in this kit are also used in other applications that have a kick-down cable, and the word "kick-down" will be used in the name of the component.

This kit is NOT designed to work with aftermarket T.V. Cable Correction Brackets that bolt to the carburettor linkage. This kit corrects the geometry with the included T.V. Lever at the transmission instead.

For more information or technical enquires

Contact: Aeroflow Performance on

Phone: (02) 8825 1979 Website: www.aeroflowperformance.com



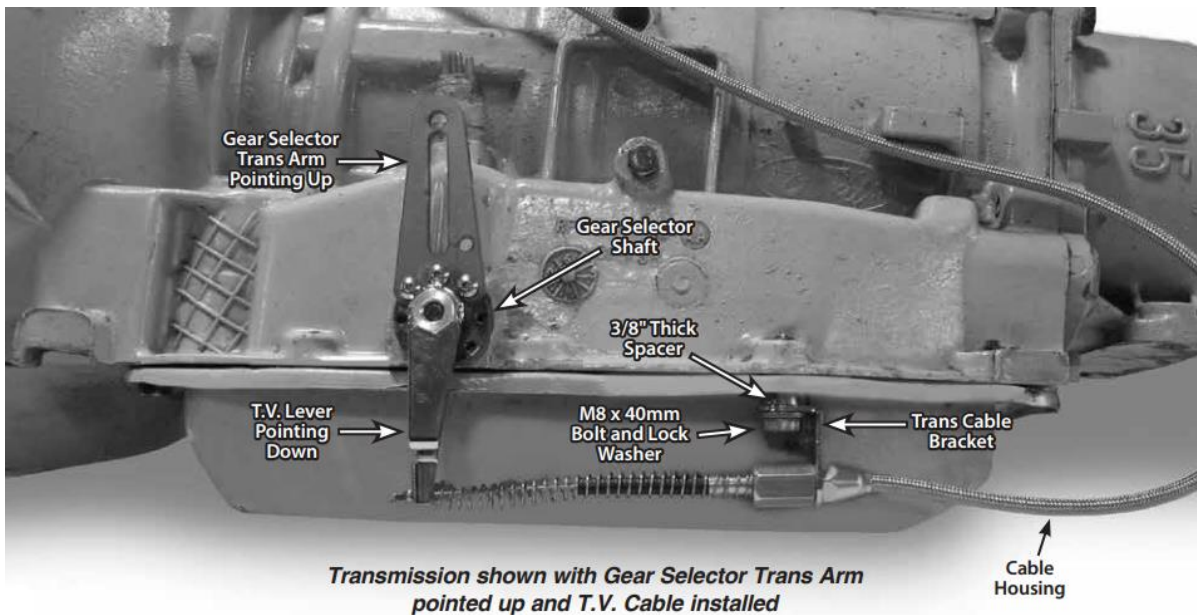
For more information or technical enquires

Contact: Aeroflow Performance on

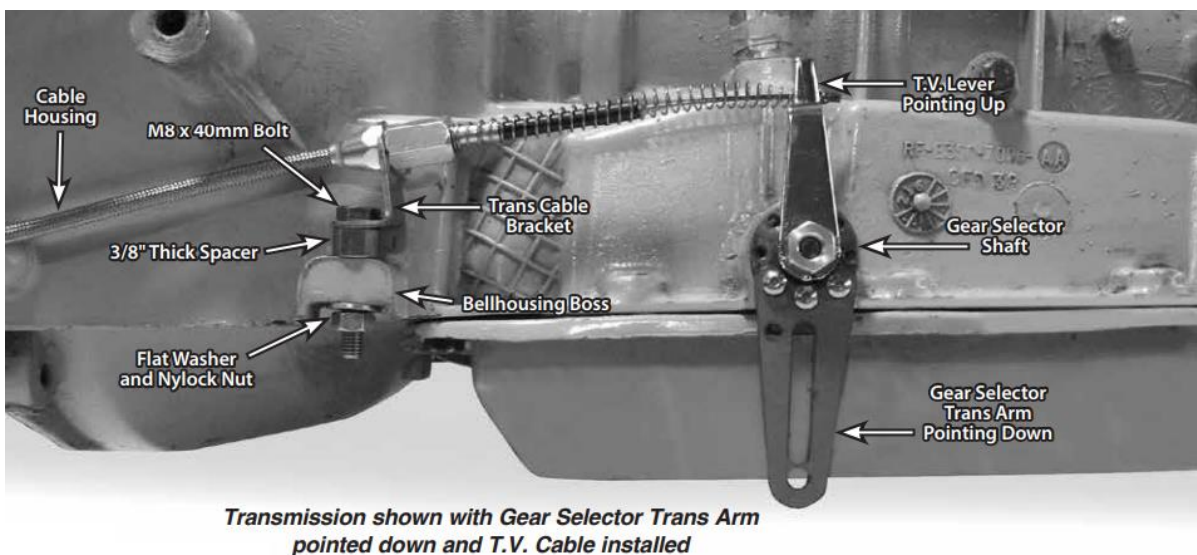
Phone: (02) 8825 1979 Website: www.aeroflowperformance.com

INSTRUCTIONS

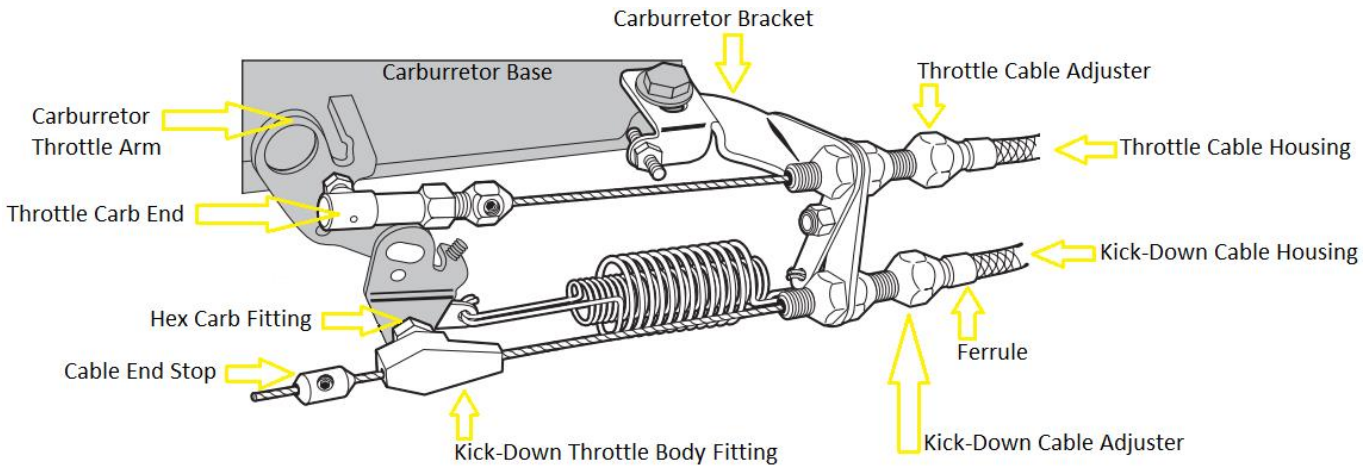
1. Remove any and all existing throttle valve (T.V.) linkage parts.
2. Remove the cable end stop, kick-down throttle body fitting, and T.V. cable adjuster from the kick-down cable. Leave the kick-down mounting bracket on the T.V. cable adjuster.
3. Remove the inner wire and the return spring from the T.V. cable housing, and remove the T.V. lever from the inner wire. Remove the kick-down extender and the trans cable bracket from the transmission end of the T.V. cable housing.
4. There are two different locations the trans cable bracket can be mounted onto the transmission, depending on which direction the gear selector trans arm on the transmission is pointing. This will also determine how the T.V. lever will be positioned on the transmission.
 - If the gear selector trans arm is pointing up, then the T.V. lever will point down. In this case, the trans cable bracket will be installed onto the second transmission pan bolt behind the gear selector shaft. Remove the original pan bolt. Install the supplied M8 x 40mm bolt with the supplied lock washer, flat washer, trans cable bracket, and 3/8" thick spacer installed onto the bolt in that order. The spacer will keep the T.V. cable in line with the T.V. lever. Make sure the vertical part of the trans cable bracket is positioned to the rear of the pan bolt.



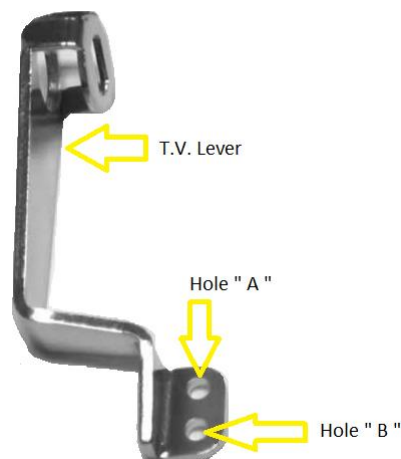
- If the gear selector trans arm is pointing down, then the T.V. lever will point up. In this case, the 3/8" thick spacer and the trans cable bracket will be installed onto the top side of the transmission bellhousing boss. Install the supplied M8 x 40mm bolt and nyloc nut with the trans cable bracket on the very top, and the 3/8" thick spacer between the trans cable bracket and the transmission bellhousing boss. The flat washer will go underneath the bellhousing boss, and the lock washer is not required. The spacer will keep the T.V. cable in line with the T.V. lever. Make sure the vertical part of the trans cable bracket is positioned to the rear of the M8 bolt.



5. Install the T.V. lever and nut onto the threaded T.V. shaft in the centre of the gear selector shaft.
6. Install the threaded end of the T.V. cable housing into the trans cable bracket, and thread the kick-down extender onto the T.V. cable housing.



7. The kick-down mounting bracket mounts onto a carburettor bracket. This carburettor bracket is sold separately. Most of these brackets are aftermarket and may require modification to fit this kick down cable mounting bracket along with a throttle cable for your application. Attach the kick-down mounting bracket to the carburettor bracket using the supplied #8-32 x 1/2" button head bolt and nyloc nut through the small 3/16" diameter centre holes in both brackets, but do not tighten yet. Insert the throttle cable adjuster (with the rear nut still installed) from the rear through the top holes in both brackets. Position it so that the bracket is roughly centred in the threaded part of the cable adjuster. Install the front adjuster nut. Tighten the throttle cable adjuster nuts, the button head bolt and nut, and the T.V. cable adjuster nuts.
8. It will be necessary to shorten the new T.V. cable assembly. With the T.V. cable adjuster and kick-down mounting bracket installed on the throttle cable bracket, route the cable housing up to the T.V. cable adjuster. Make sure that the inner wire is removed from the cable housing. Slide the ferrule down the housing towards the transmission, away from the end that is being cut. NOTE: Do not remove the ferrule. Mark the cable housing where it lines up with the T.V. cable adjuster. Then add 1" to the measurement and cut the cable housing to that length. After cutting the cable housing, put the ferrule back in place at the end of the cable housing. Insert the cable housing and ferrule into the kick-down cable adjuster.
9. Separate the hex carb fitting from the kick-down throttle body fitting. Install the hex carb fitting onto the carburettor throttle arm.
10. Install the inner wire by starting at the T.V. lever on the transmission. There are two holes in the T.V. arm that the inner wire can be inserted into. If using an Edelbrock or similarly designed carburettor, install the cable in the hole closest to where the arm is mounted to the shaft (hole "A"). If using a Holley or similarly designed carburettor, install the cable in the hole closest to the end of the T.V. arm (hole "B").



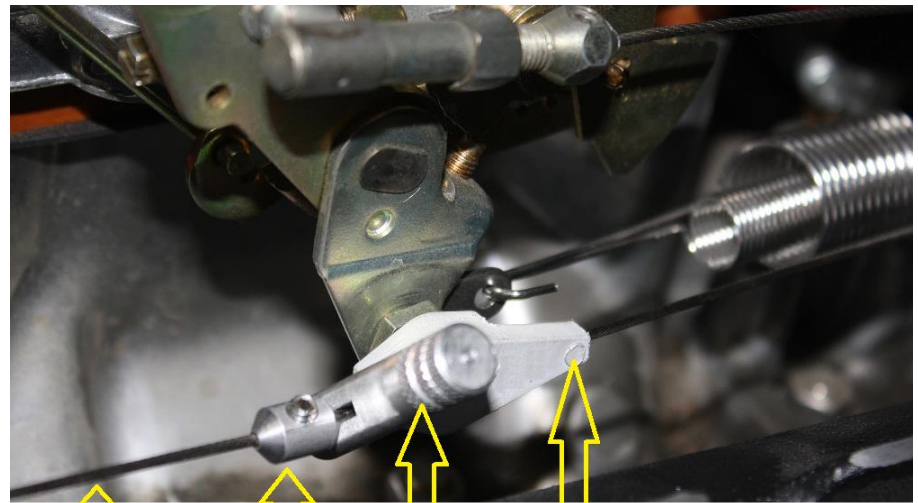
11. Feed the inner wire through the T.V. lever, return spring, kick-down extender, cable housing and the T.V. cable adjuster up to the carburettor. Slide the kick-down throttle body fitting and the cable end stop onto the inner wire, and snap the kick-down throttle body fitting onto the hex carb fitting. With the carburettor in its normal, warm idle, closed throttle position, slide the cable end stop up to the kick-down throttle body fitting and lightly tighten the set screw with the Allen key wrench supplied in the kit.
12. After the installation is complete, make sure that the throttle will reach wide open and that the T.V. lever does not bottom out. Check this by holding the throttle in the wide-open position and pushing the T.V. lever in the same direction it is being pulled by the cable. The T.V. lever should be able to move a small amount; this will ensure that the T.V. cable will not over pull.

T.V. CABLE PRESSURE ADJUSTMENT

WARNING: Failure to perform the following T.V. Cable Pressure Adjustment procedure may cause your transmission to fail prematurely and void any warranty.

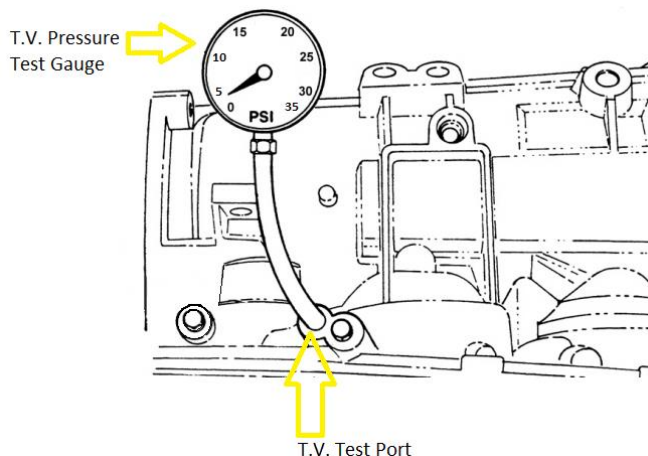
Adjustment of the T.V. cable must be done with the carburetor off of fast idle and the engine at normal operating temperature

1. Remove the block off plug from the T.V. test port, and connect an oil pressure gauge with hose (not included) using a 1/8" NPT fitting.
2. Pull forward on the cable end stop at the engine end of the T.V. cable in order to create some clearance between the cable end stop and the kick-down throttle body fitting. Insert the slotted end of the supplied T.V. cable gauge tool between the cable end stop and the kick-down throttle body fitting so that the T.V. cable inner wire is inside the slot on the tool.



Inner Cable Wire Cable End Stop T.V. Cable Gauge Tool Kick-Down Throttle Body Fitting

3. Start the engine and let it run until it reaches normal operating temperature. The transmission fluid temperature should be approximately 38-70 degrees C. Do not perform the pressure adjustment procedure if the transmission fluid is cold or is too hot to touch.
4. Set the parking brake and place the shifter in **NEUTRAL**. With the T.V. cable gauge tool in place and the engine at warm idle, the T.V. pressure should be 35 PSI.



5. Adjust as needed to get the T.V. pressure to 35 PSI. Make major adjustments by moving the cable end stop one direction or the other, and make minor adjustments at the two nuts on the T.V. cable adjuster.

6. Once you have the cable adjusted so that the pressure gauge reads 35 PSI with the T.V. cable gauge tool inserted, remove the T.V. cable gauge tool.
7. Allow the T.V. cable to return to its normal idle position. With the engine still idling in **NEUTRAL**, T.V. pressure must be at or near zero. If not, reinstall the T.V. cable gauge tool. Repeat steps 4 through 6, but set T.V. pressure to a value between 30 PSI and 34 PSI. Remove the T.V. cable gauge tool and recheck T.V. pressure to determine if it is at or near zero.
8. Once you have achieved the pressures, with the engine still idling and the transmission in **NEUTRAL**, watch the pressure gauge while you slowly begin to open the throttle. The T.V. pressure should begin to rise immediately when the throttle begins to move. If not, then remove any slack in the T.V. cable until the pressure does begin to rise immediately when the throttle is moved. Then, repeat Steps 4-8.
9. Disconnect the pressure gauge and re-install the plug in the T.V. test port.

For more information or technical enquires

Contact: Aeroflow Performance on

Phone: (02) 8825 1979 Website: www.aeroflowperformance.com