



40 Huntingwood Drive Huntingwood NSW 2148

Phone: (02) 8825 1999 Website: www.aeroflowperformance.com

INSTRUCTION MANUAL

AEROFLOW PERFORMANCE

KICK-DOWN CABLE

WARNING!

BEFORE PROCEEDING WITH INSTRUCTIONS PLEASE READ CAREFULLY AND UNDERSTAND BEFORE ATTEMPTING TO USE THIS PRODUCT.

BEFORE PROCEEDING WITH INSTALLATION PLEASE READ INSTRUCTIONS CAREFULLY. THIS PRODUCT REQUIRES DETAILED KNOWLEDGE OF AUTOMOTIVE SYSTEMS. WE RECOMMEND THAT THIS INSTALLATION BE CARRIED OUT BY A QUALIFIED AUTOMOTIVE TECHNICIAN.

INTRODUCTION

Congratulations on your purchase of the Aeroflow Performance kick-down cable kit. Aeroflow Performance products cannot and will not be responsible for any damage, or other conditions resulting from misapplication of the parts described herein. However, it is our intention to provide the best possible products for our customer, products that perform properly and satisfy your expectations. Should you have any questions? Please call technical support at +61 2 8825 1900 and have the product part number on hand when calling.

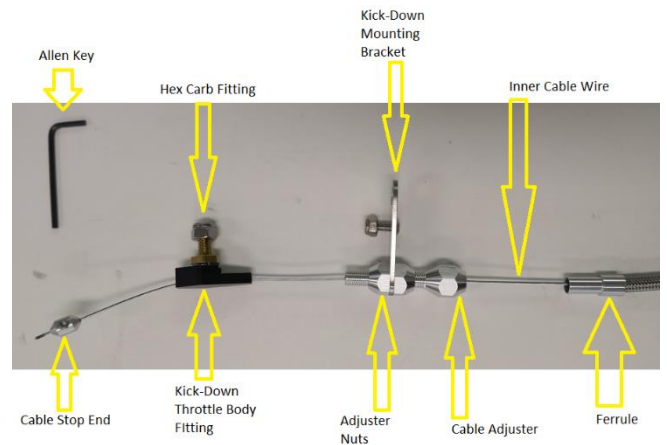
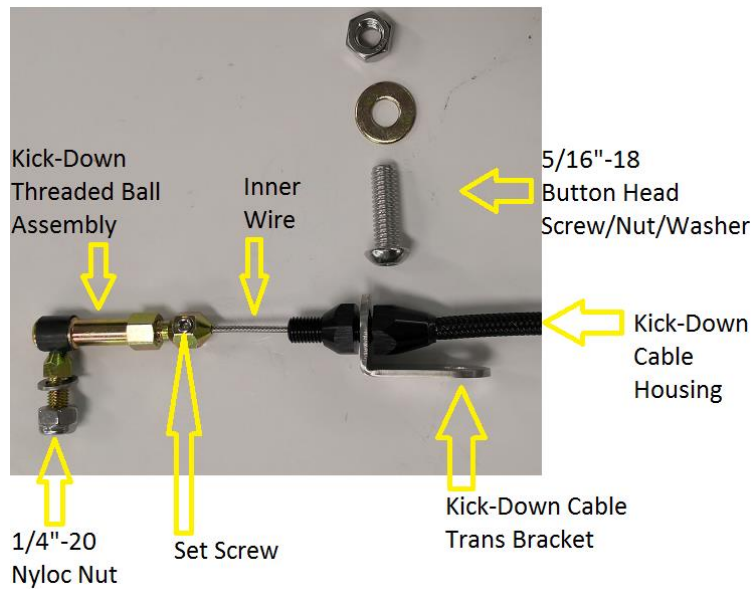
This Aeroflow Performance kick-down cable kit is designed to suit GM Powerglide only. This cable is made from stainless steel braided covering over a hard-wearing high-quality PTFE liner, which are made with an extruded liner for extended life. These also feature aluminium fittings and ferrules to eliminate frayed ends. They contain all necessary hardware for a complete installation, although some modification may still be required depending on application.



For more information or technical enquires

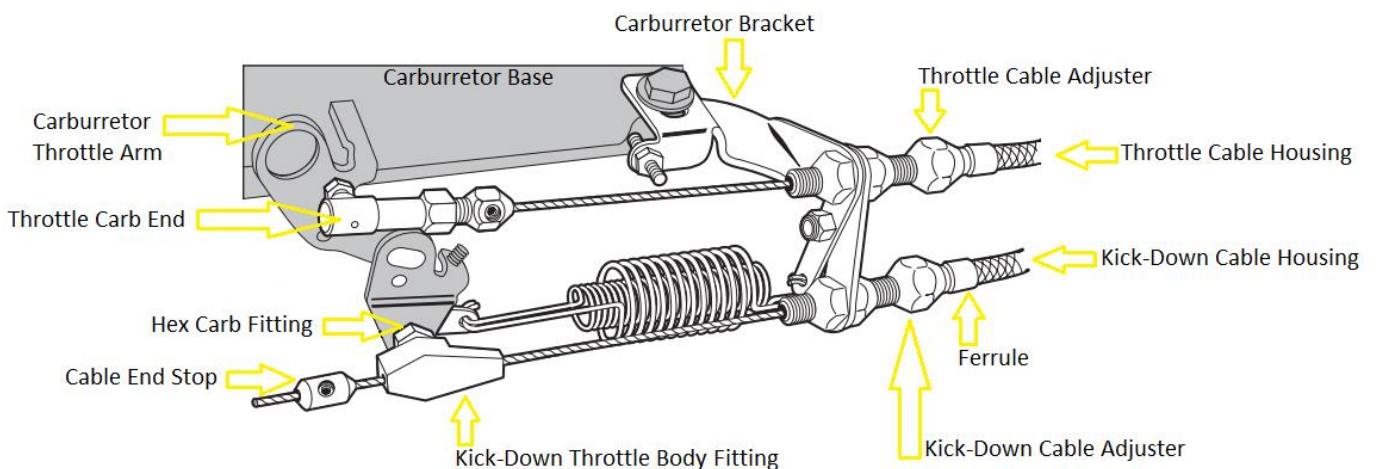
Contact: Aeroflow Performance on

Phone: (02) 8825 1979 Website: www.aeroflowperformance.com

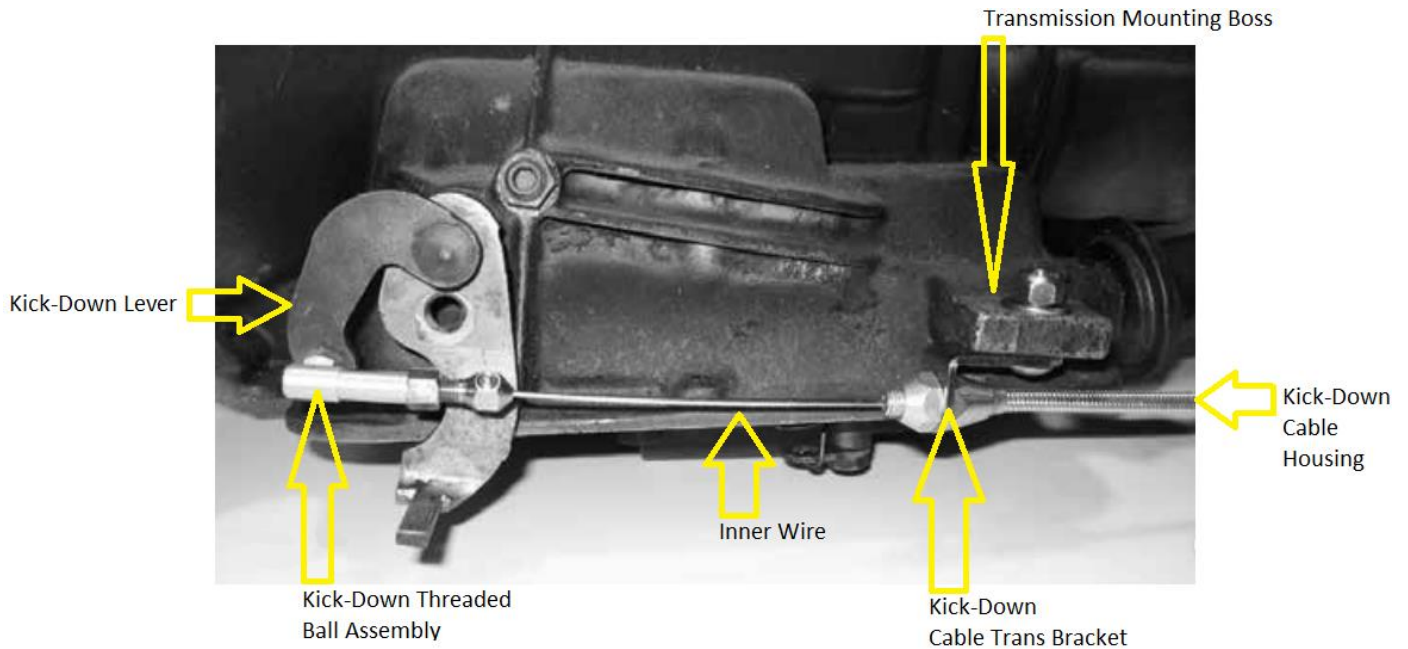


INSTRUCTIONS

1. Remove the cable end stop, kick-down throttle body fitting, and kick-down cable adjuster from the kick-down cable. Leave the kick-down mounting bracket on the kick-down cable adjuster.
2. Install the kick-down cable trans bracket onto the bottom of the boss on the transmission with the vertical ear towards the front and pointing down.
3. The kick-down mounting bracket mounts onto a carburettor bracket. This carburettor bracket is sold separately. Most of these brackets are aftermarket and may require modification to fit this kick down cable mounting bracket along with a throttle cable for your application. Attach the kick-down mounting bracket to the carburettor bracket using the supplied #8-32 x 1/2" button head bolt and nyloc nut through the small 3/16" diameter centre holes in both brackets, but do not tighten yet. Insert the throttle cable adjuster (with the rear nut still installed) from the rear through the top holes in both brackets. Position it so that the bracket is roughly centred in the threaded part of the cable adjuster. Install the front adjuster nut. Tighten the throttle cable adjuster nuts, the button head bolt and nut, and the kick-down cable adjuster nuts.
4. Route the cable housing up to the kick-down cable adjuster. Make sure that the inner wire is removed from the cable housing. Slide the ferrule down the housing towards the transmission, away from the end that is being cut.
 - I. **NOTE:** Do not remove the ferrule. Measure the distance between the kick-down cable adjuster and the kick-down cable transmission bracket. Add 1" to the measurement and cut the cable housing to that length. After cutting the cable housing, put the ferrule back in place at the end of the cable housing. And insert the cable housing and ferrule into the kick-down cable adjuster.



5. Separate the hex carb fitting from the kick-down throttle body fitting. Install the hex carb fitting onto the carburettor throttle arm.
6. Re-install the inner wire into the kick-down cable housing, with the threaded kick-down ball assembly at the transmission end. Insert the threaded kick-down ball assembly into the kick-down lever on the transmission, and secure with the flat washer and 1/4"-28 nyloc nut. Check to make sure that the set screw in the threaded kick-down ball assembly is tight, using the supplied Allen key.



7. Before connecting the inner wire to the carburettor, make sure that the throttle linkage is properly adjusted. Verify at the carburettor that the throttle is wide open while you have a helper hold the accelerator pedal to the floor. Once you are sure that the throttle linkage is adjusted correctly, slide the kick-down throttle body fitting onto the kick-down cable inner wire, and connect the kick-down throttle body fitting to the hex carb fitting.
8. This step will also be much easier with a helper. Slide the kick-down cable end stop onto the inner wire. Move the throttle to wide open and hold it there while pulling the kick-down inner wire as tight as possible. Slide the cable end stop up against the kick-down throttle body fitting and tighten the set screw using the supplied Allen key wrench. Release the throttle.
9. Minor adjustments can be made using the kick-down cable adjuster on the carburettor bracket. Double check to be sure that all carburettor, throttle and kick-down linkage operates freely without binding and that the throttle returns to the closed position when the pedal is released. Then, test drive. Once the kick-down cable is correctly adjusted and operating properly you can cut off the excess inner wire, leaving about 1/2" extending beyond the cable end stop to allow for future adjustment if needed.

For more information or technical enquires

Contact: Aeroflow Performance on

Phone: (02) 8825 1979 Website: www.aeroflowperformance.com