



40 Huntingwood Drive Huntingwood NSW 2148

Phone: (02) 8825 1999 Website: www.aeroflowperformance.com

INSTALLATION MANUAL

AEROFLOW PERFORMANCE

NITROUS BOTTLE BRACKETS

WARNING!

BEFORE PROCEEDING WITH INSTALLATION PLEASE READ INSTRUCTIONS CAREFULLY. THIS PRODUCT REQUIRES DETAILED KNOWLEDGE OF AUTOMOTIVE SYSTEMS. WE RECOMMEND THAT THIS INSTALLATION BE CARRIED OUT BY A QUALIFIED AUTOMOTIVE TECHNICIAN.

THE INSTALLATION OF THIS PRODUCT REQUIRES THE HANDLING OF NITROUS OXIDE. WE RECOMMEND TO WORK IN A WELL VENTILATED AND WEAR APPROPRIATE SAFETY WEAR FOR PROTECTION.

KEEP ALL IGNITION SOURCES AND OPEN FLAMES AWAY FROM VEHICLE AT ALL TIMES WHILE INSTALLING THIS PRODUCT.

WE RECOMMEND TO INSTALL THIS WITH AN EMPTY BOTTLE WHEN FIRST MOUNTING THIS PRODUCT.

INTRODUCTION

Congratulations on your purchase of Aeroflow Performance billet nitrous bottle brackets. Aeroflow Performance products cannot and will not be responsible for any damage, or other conditions resulting from misapplication of the parts described herein. However, it is our intention to provide the best possible products for our customer, products that perform properly and satisfy your expectations. Should you have any questions? Please call technical support at +61 2 8825 1900 and have the product part number on hand when calling.

The Aeroflow Performance nitrous bottle brackets are machined on the correct angle and feature double O-rings machined into the bracket to not only hold the bottle firmly into place but will also prevent any damage to the bottle itself. These brackets also open up a full 180° for easy bottle replacement.

It is important to mount your bottle in the proper orientation. Ideally, the bottle should be facing with the valve to the front of the vehicle. This is because the siphon tube inside the bottle is curved towards the bottom of the bottle, so it can pick up a steady supply of nitrous. These brackets allow you to mount the bottle at the correct angle to avoid any issues with supply. It is recommended to mount the brackets and bottle with the valve facing towards the front of the vehicle, this is because upon acceleration the nitrous will not be pulled away from the siphon tube. With it at this angle it still allows the siphon tube to be submerged in the nitrous. If you wish to mount the brackets and bottle sideways or at a different angle, you'll need to rotate the bottle so that the siphon tube is at a 45° angle. This means the bottle nipple will be facing towards the back of the vehicle at a 45° angle.

When mounting and assembling these brackets on the bottle the short bracket should be on the bottom of the bottle and the top bracket which is the taller bracket should be towards the valve or front of the bottle. NOTE: these brackets must be a specific distance apart to avoid damage to brackets and bottle:

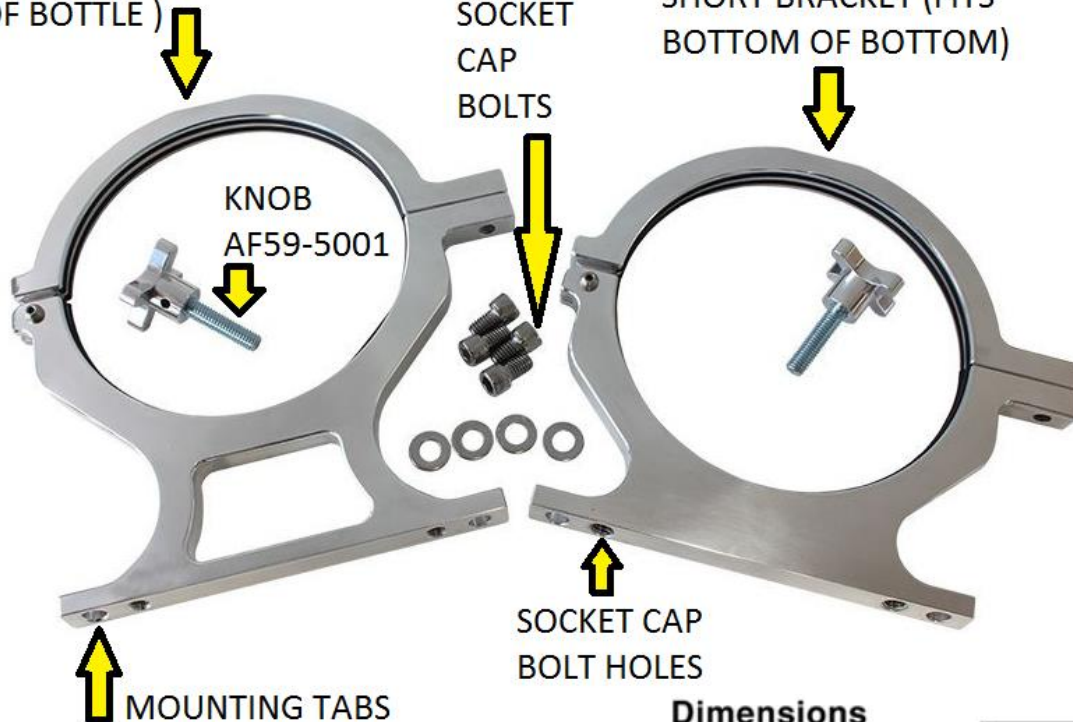
- I. 10 LB bottle the distance from the bottom of the bottle to the bottom bracket approximately 2-3/4" (69.85mm) and the distance from the bottom of the bottle to the top bracket approximately 11-3/4" (298.45mm).
- II. 15 LB bottle the distance from the bottom of the bottle to the bottom bracket approximately 2-3/4" (69.85mm) and the distance from the bottom of the bottle to the top bracket approximately 15-3/4" (400.05mm).

The bottle brackets should be secured by grade 5 bolts and washers. The socket cap bolts provided allow you to bolt the bracket from underneath. Before drilling the holes be sure to check for clearance beneath the mounting surface, i.e., fuel tank, fuel lines, and brake lines etc. When mounting these brackets ensure it is on a flat, stable and structural location.

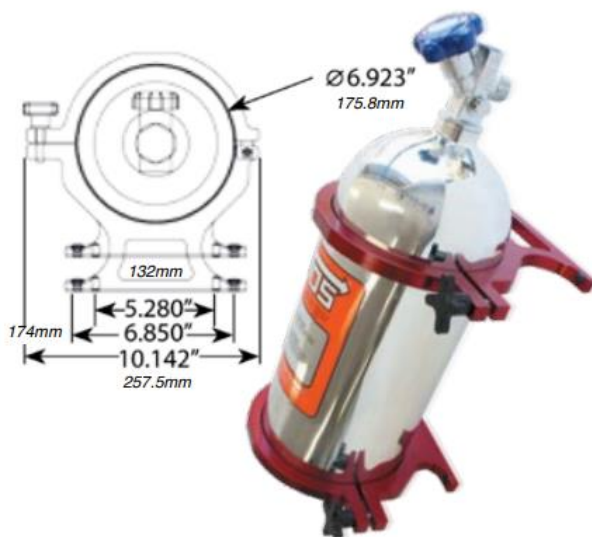
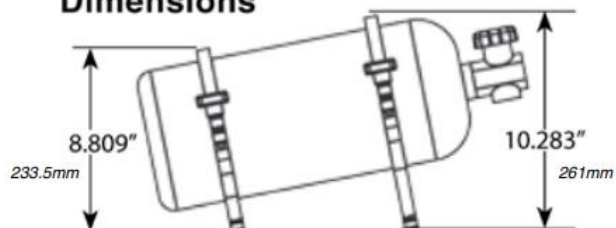
- Ensure when mounting bottle to provide enough support underneath when the bottle is full
- Make sure there are no sharp edges or objects near the bottle that could penetrate in an event of an impact.
- Recommended to mount away from excessive heat, moving components and collision prone areas

TALL BRACKET (FITS TOP OF BOTTLE)

SHORT BRACKET (FITS BOTTOM OF BOTTOM)



Dimensions



For more information or technical enquires

Contact: Aeroflow Performance on

Phone: (02) 8825 1979 Website: www.aeroflowperformance.com