



Triple Pump in-tank Kit

Part No: AF64-4050, AF64-4050BLK



The Aeroflow Triple Pump in-tank is designed to work with up to 3 Aeroflow AF49-1013 in-tank fuel pumps in an aluminium tank that is 250mm deep. If using with less than 3 pumps additional fittings will be required to block the un-used inlets.

Kit Parts List

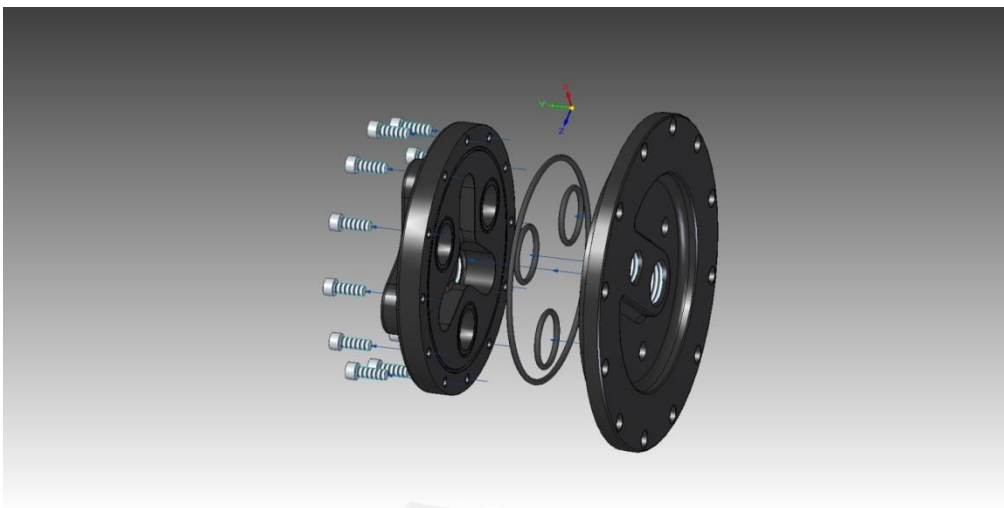
Part	Qty	Part	Qty
Top Plate	1	O-ring 170mm I.D.	1
Bottom Plate	1	M6 Stud	1
Weld-on	1	M6 Nut	4
Pump Bracket	1	M6 Flat Washer	2
Spacer	1	M6 Capscrew 35mm UHL	2
Teflon Spacer	4	Check Valve	3
M6 Capscrew 18mm UHL	16	Swivel Adapter	3
M6 Capscrew 12mm UHL	12	Long Red Wire	1
O-ring 6mm I.D.	2	Long Black Wire	1
O-ring 14mm I.D.	4	Short Red Wire	2
O-ring 30mm I.D.	3	Short Black Wire	2
O-ring 130mm I.D.	1		

www.aeroflowperformance.com

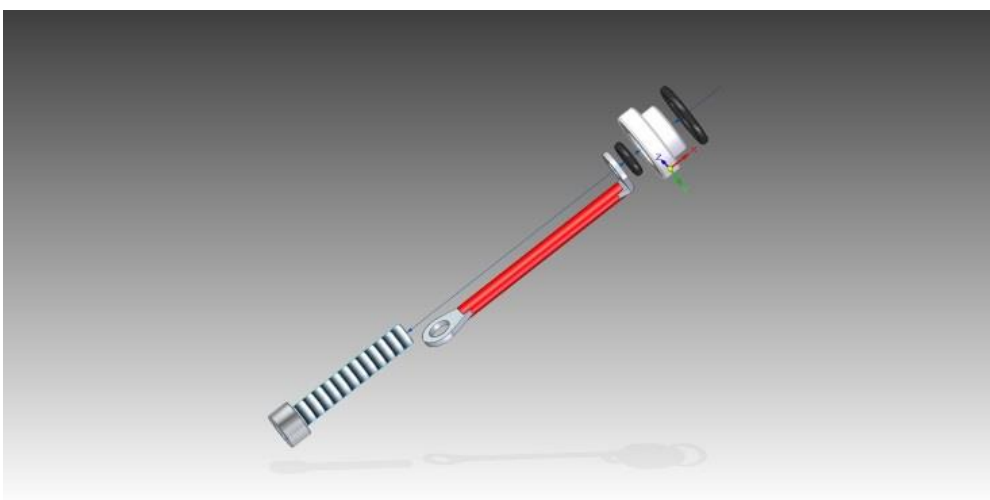
Assembly Instructions

WARNING! These instructions must be read and fully understood before beginning installation. Failure to follow these instructions may result in poor performance, vehicle damage, personal injury or death. If these instructions are not fully understood installation should not be attempted.

Start the assembly by fitting the 3 x 30mm o-rings and the 130mm o-ring to the bottom plate and then attach the top plate with 12 x M6 18mm UHL capscrews. Care should be taken to ensure that one of the 3 large holes in the bottom plate lines up with the boss for the fuel return and that the other 2 holes line up with the two holes in the top plate for the wiring.

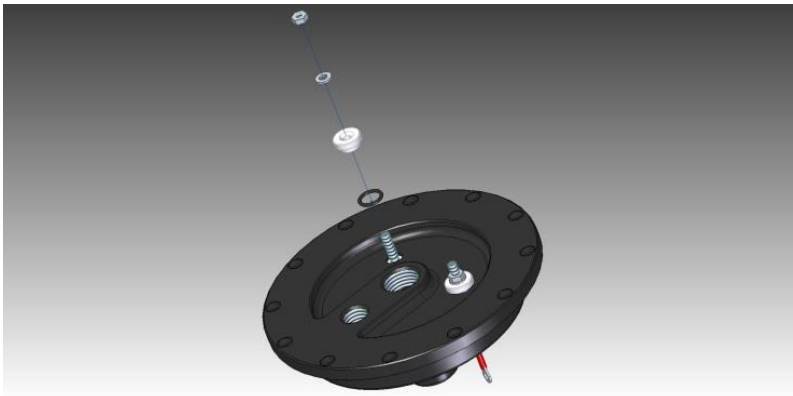


Bend one end of the long red and black wires 90 degrees and assemble as shown below with a 6mm o-ring, a wiring insulator and a 14mm o-ring.

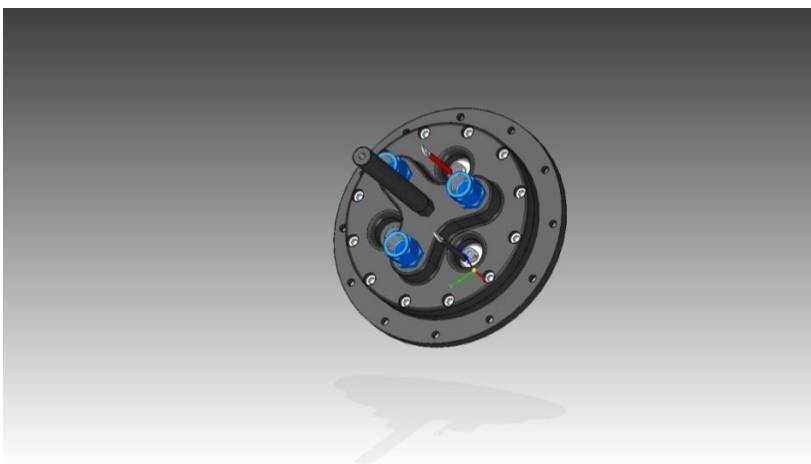


www.aeroflowperformance.com

Fit to the top plate with another 14mm o-ring, wiring insulator, flat washer and m6 Nut.



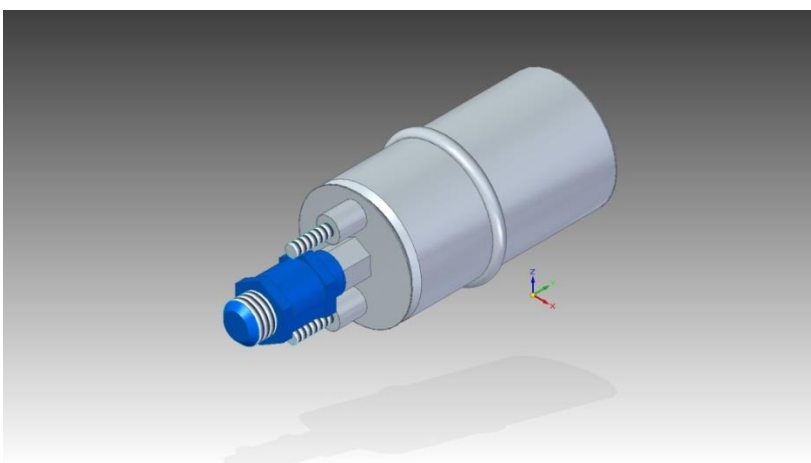
Using the supplied M6 stud attach the spacer and then fit the 3 swivel fittings.



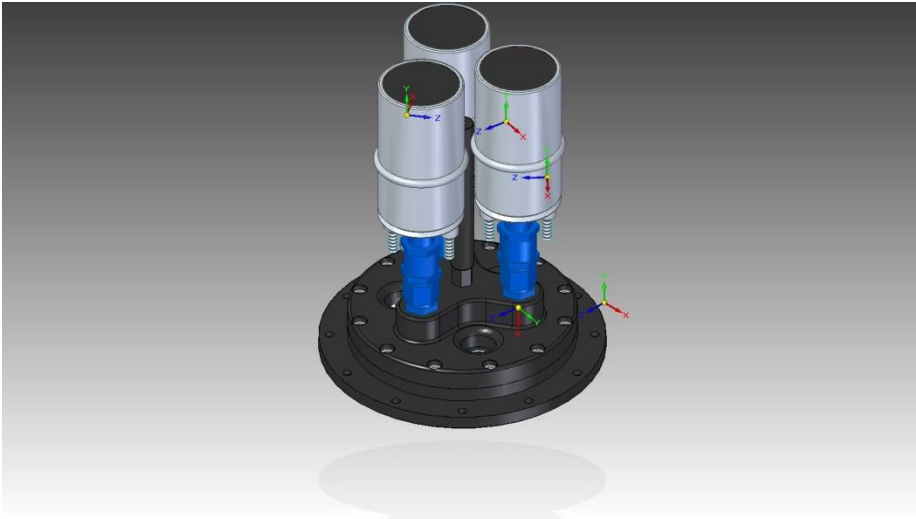
Note:

If you are using only one or two pumps, replace the swivel fitting with a -8ORB port plug (Not supplied with kit)

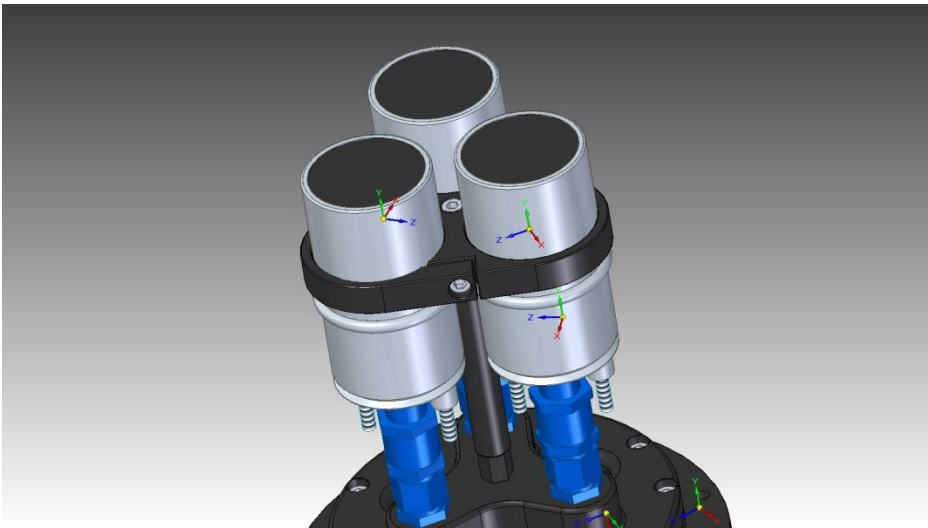
Fit the check valves to the fuel pump inlets.



Attach the fuel pumps / check valves to the swivel fittings.



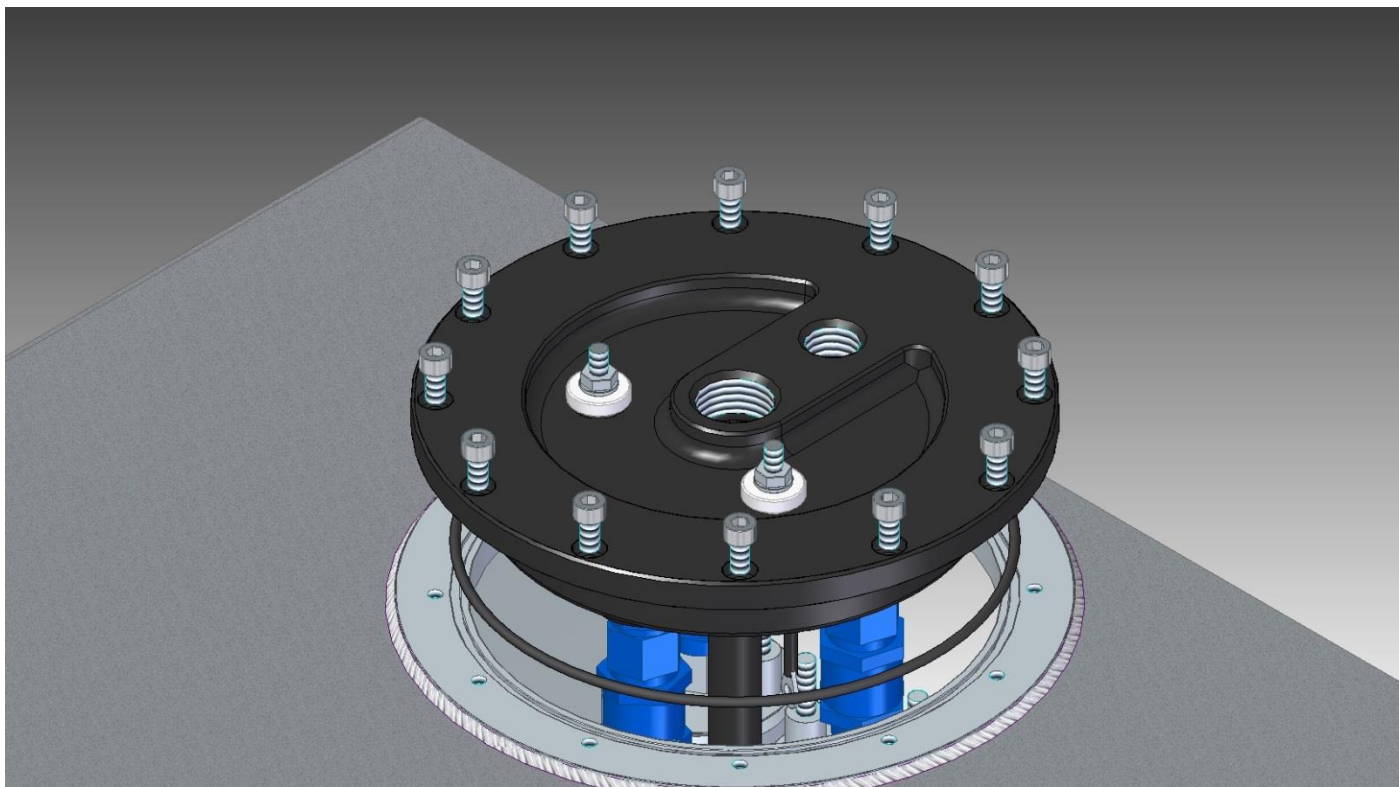
Fit the pump retaining bracket and bolt to the spacer using the supplied M6 18mm UHL cap screw. Use the 3 remaining M6 18mm UHL cap screws to secure the pumps.



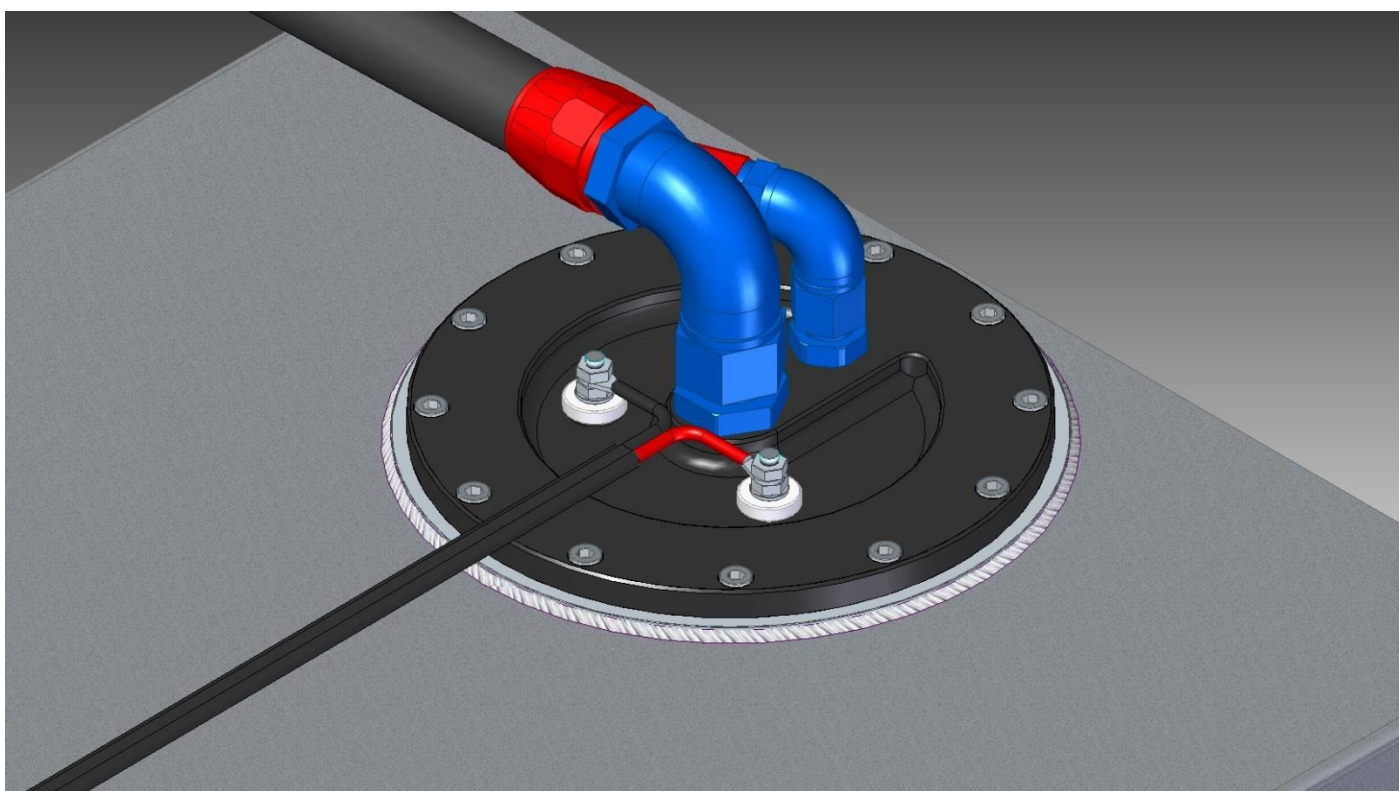
Connect the wiring to the first pump and using the supplied short wires connect the first pump to the second and third pumps. If you're unsure of the correct way to wire the pumps please consult an auto electrician.

After having the weld-on welded onto a suitable tank and checking for adequate clearance at the base of the pumps the assembly can be installed and secured with 12 x M6 18mm UHL capscrews, using the 170mm I.D. o-ring to seal it.

www.aeroflowperformance.com



Once the assembly has been fitted to the tank, and the tank has been fitted to the vehicle, connect the wiring to the external terminals and hold in place using the supplied M6 nuts. Lastly connect the fuel line and return line (Hose and fittings sold separately) the supply side is -12ORB and the return side is -8ORB. Carefully inspect all connections for leaks before starting and driving the vehicle.



www.aeroflowperformance.com