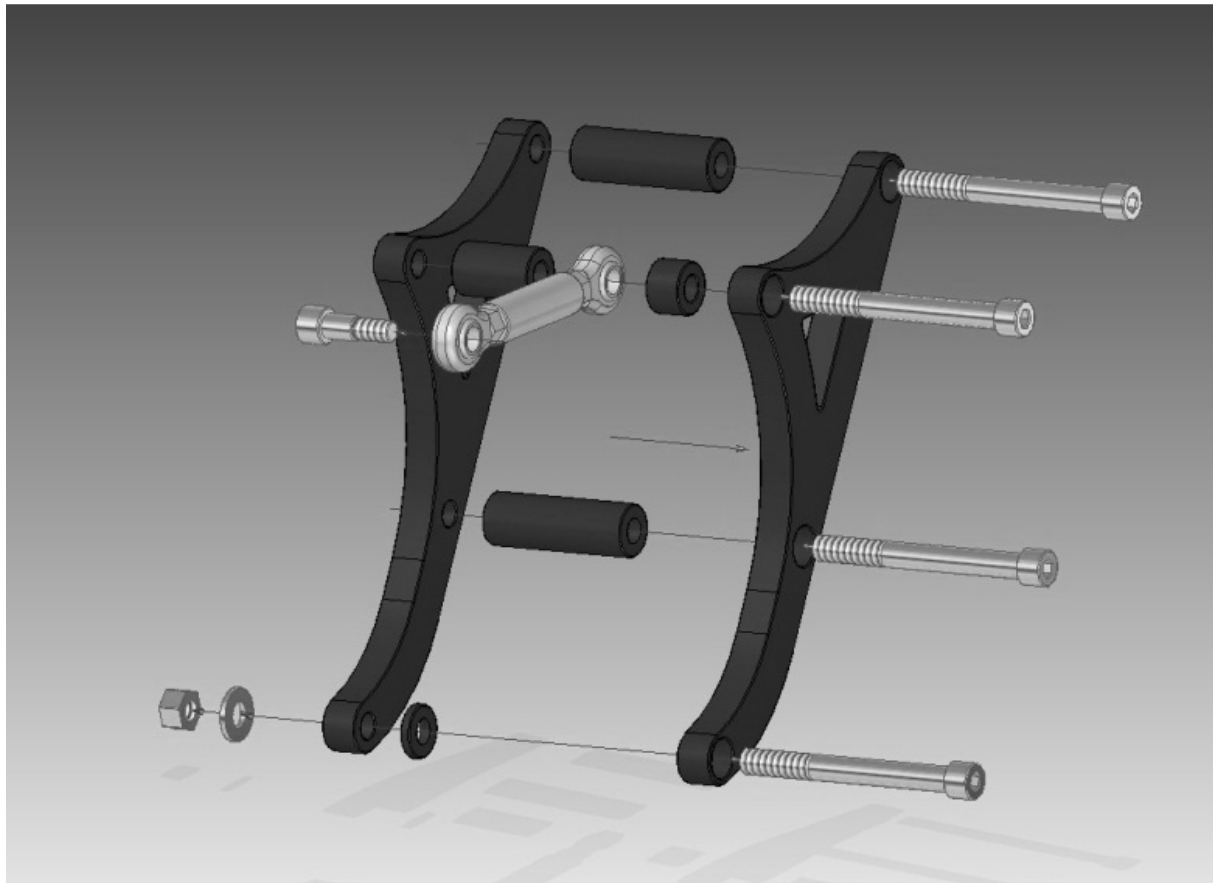




## Holden V8 Alternator Bracket Kit

Part No: AF64-4033, AF64-4033BLK



### Fitting Instructions

- Disconnect the battery
- Attach the bracket assembly as shown in the pictures loosely to the driver's side cylinder head and then fit the alternator.
- Tighten the bracket assembly to cylinder head, fit the belt and adjust the belt tension by turning the turn buckle on the adjuster rod. Care must be taken to not over tighten the belt as it could result in damage to the alternator and water pump bearings. After the belt is correctly tensioned, tighten the lock nuts on the adjuster rod.
- Connect the wiring to the alternator and check that there is adequate clearance, especially around steering components.
- Re-check all fasteners are tight and re-connect the battery.

### Kit contents:

Front plate x 1  
Rear plate x 1  
60mm spacer x 2  
34mm spacer x 1  
14mm spacer x 1  
4mm spacer x 1  
Short spacer x 1  
3/8" UNC capscrews x 4  
5/16" capscrew x 1  
3/8" UNC nut  
3/8" flat washer  
Adjuster rod x 1



Shown fitted along with an  
Aeroflow AF64-3003 gilmer drive  
kit and matching AF65-1006 belt



[www.aeroflowperformance.com](http://www.aeroflowperformance.com)