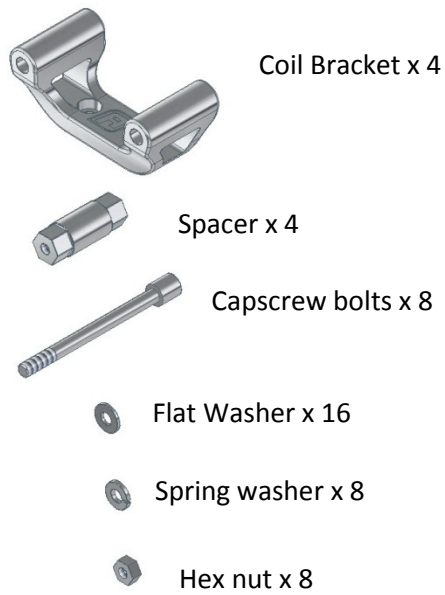




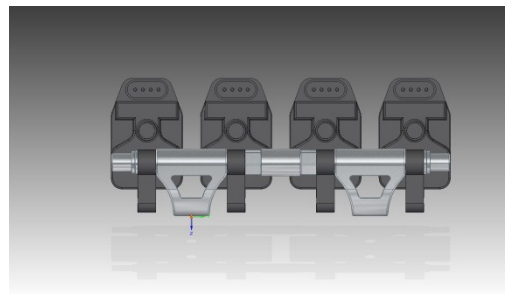
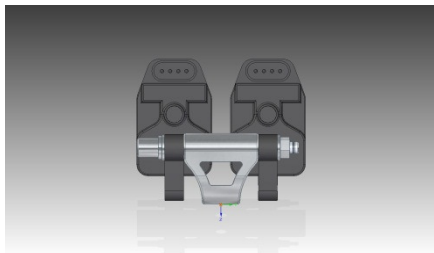
LS1/LS6 Coil Relocation Kit

AF64-4032, AF64-4032BLK

Kit Contents:



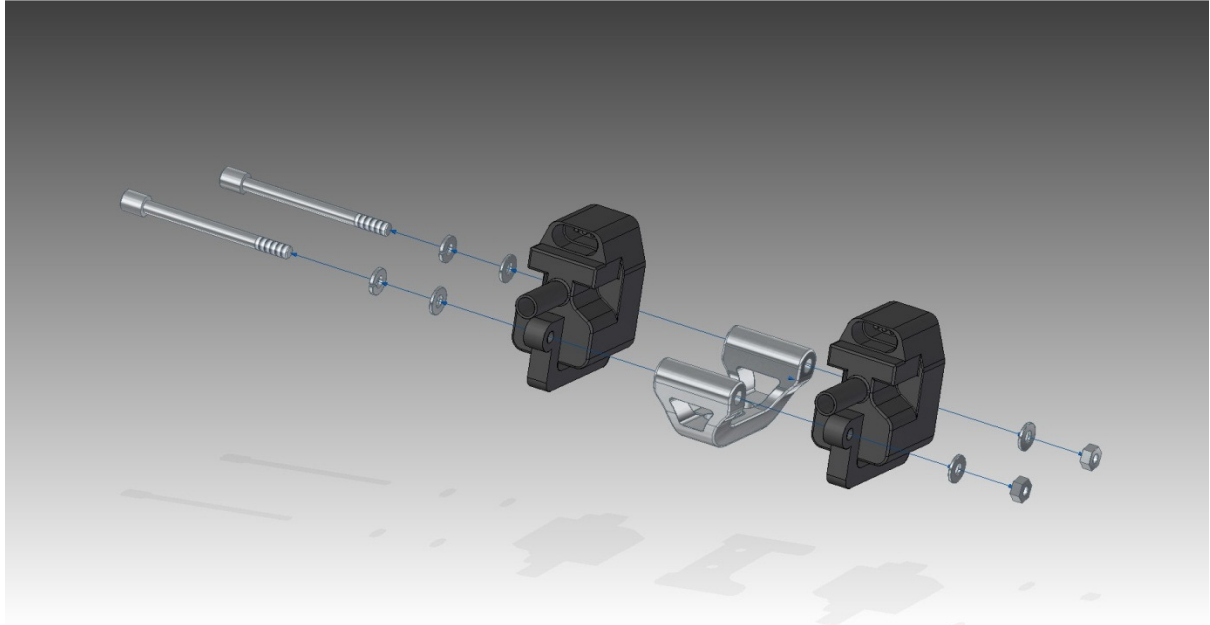
The Aeroflow coil relocation kit is an innovative lightweight modular design that allows multiple mounting options. The kit contains components to mount 8 LS1 or LS6 style mounting coils in pairs or by optionally using the included spacers they can be mounted in groups of 4.



www.aeroflowperformance.com



2 coil assembly



4 coil assembly

